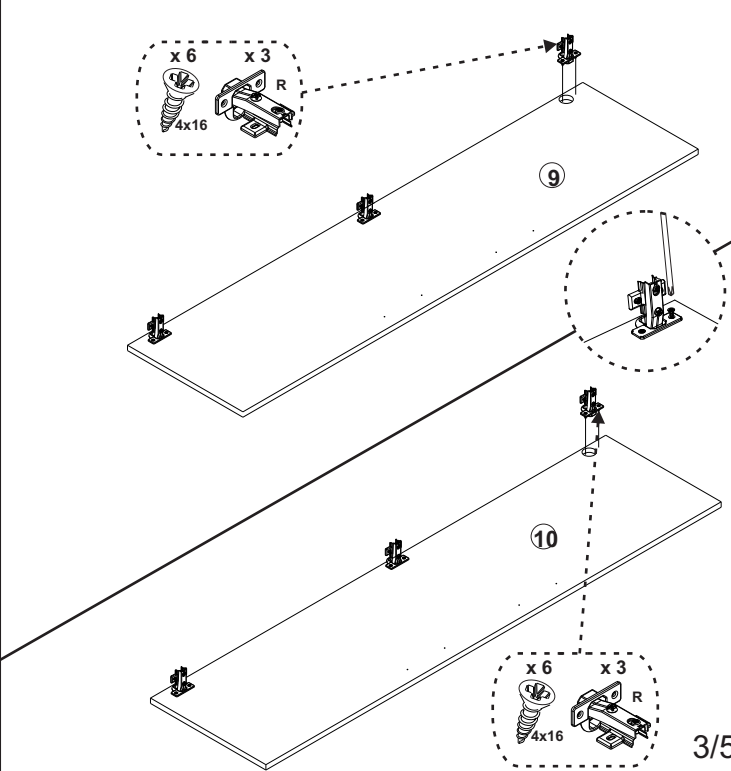
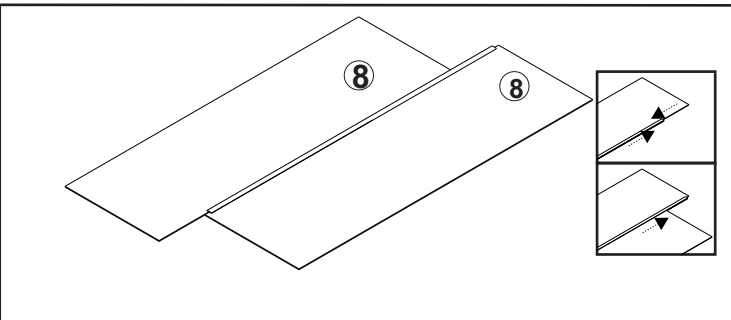
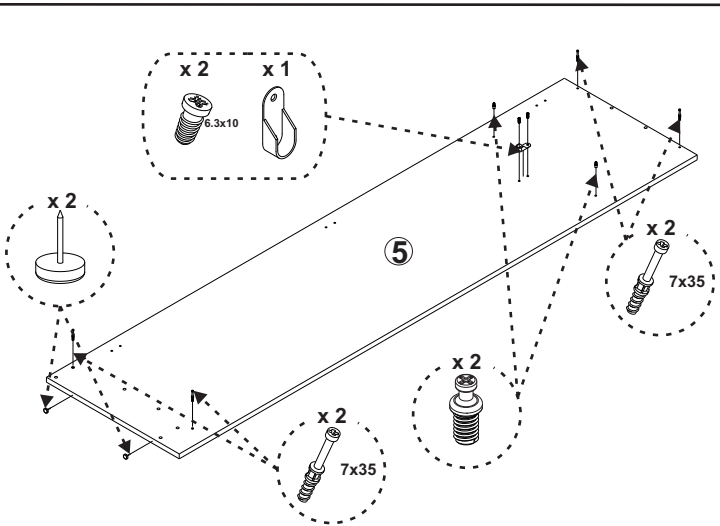
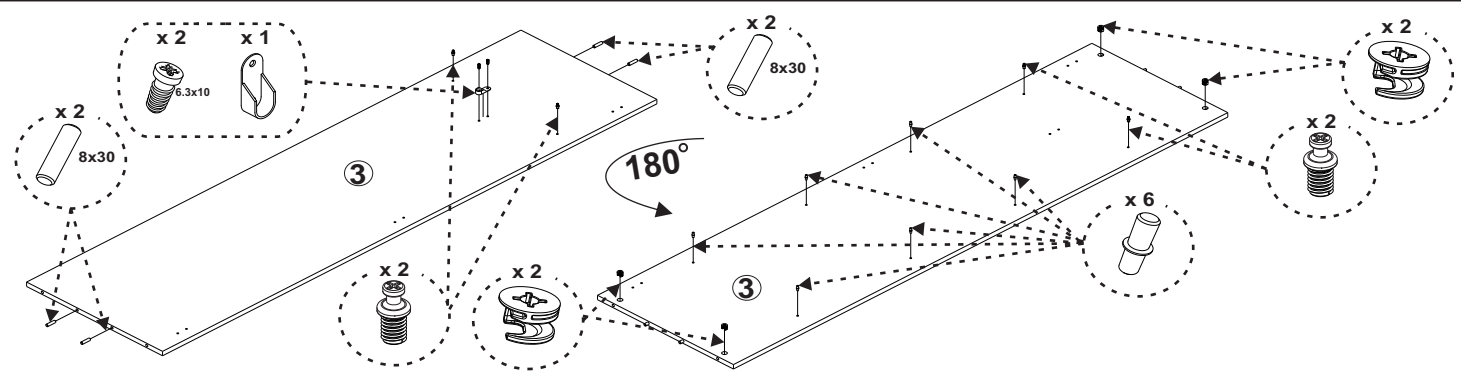
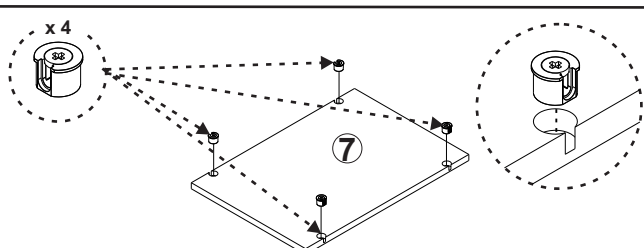
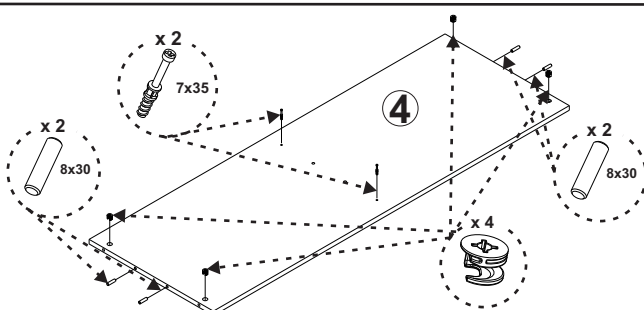
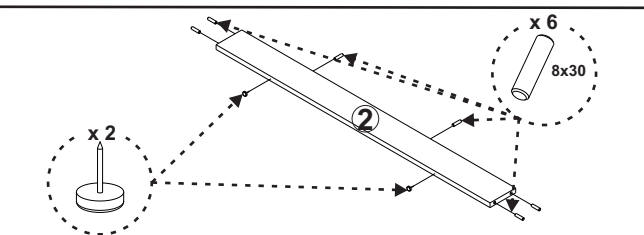
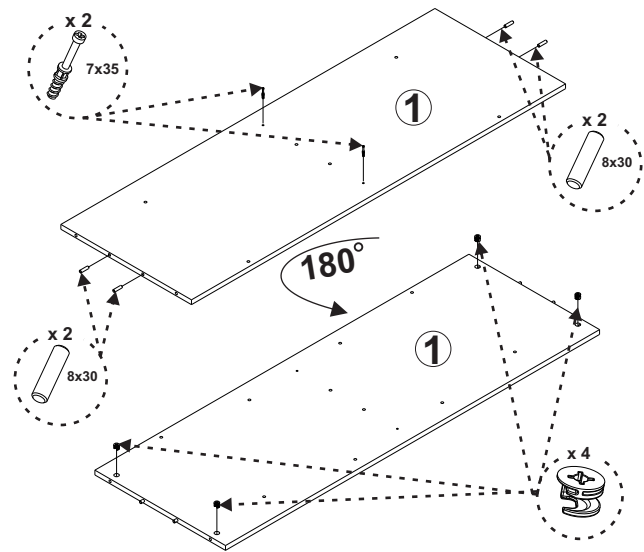


šematski prikaz

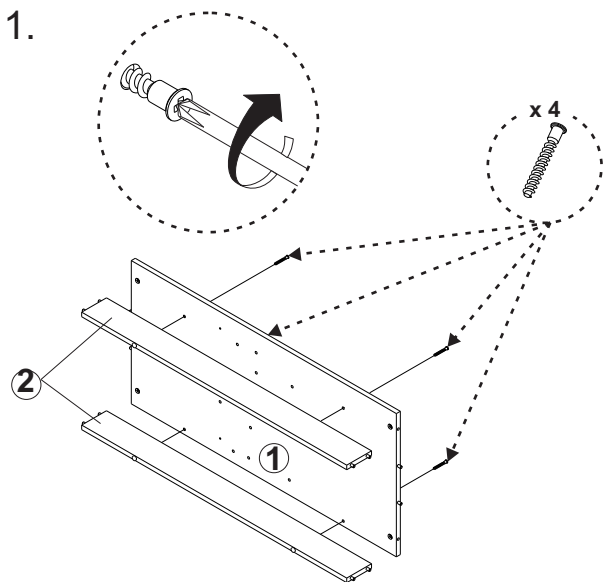
| | NAZIV ELEMENTA | DIMENZIJE (mm) | BR. KOM: |
|---|----------------------|----------------|----------|
| ① | POD | 1432x500x16 | 1 |
| ② | SOKLA | 100x1432x16 | 2 |
| ③ | VERTIKALA | 1818x500x16 | 1 |
| ④ | PLAFON | 1432x500x16 | 1 |
| ⑤ | LEVA BOČNA STRANICA | 1950x500x16 | 1 |
| ⑥ | DESNA BOČNA STRANICA | 1950x500x16 | 1 |
| ⑦ | HORIZONTALA | 708x500x16 | 2 |
| ⑧ | POLEDINA | 1846x363x3 | 4 |
| ⑨ | FRONT 1 | 1846x363x20 | 1 |
| ⑩ | FRONT 2 | 1846x363x16 | 3 |
| ⑪ | POLICA | 707x480x16 | 3 |

PRIKAZ POSTAVKE OKOVA NA ELEMENTE :

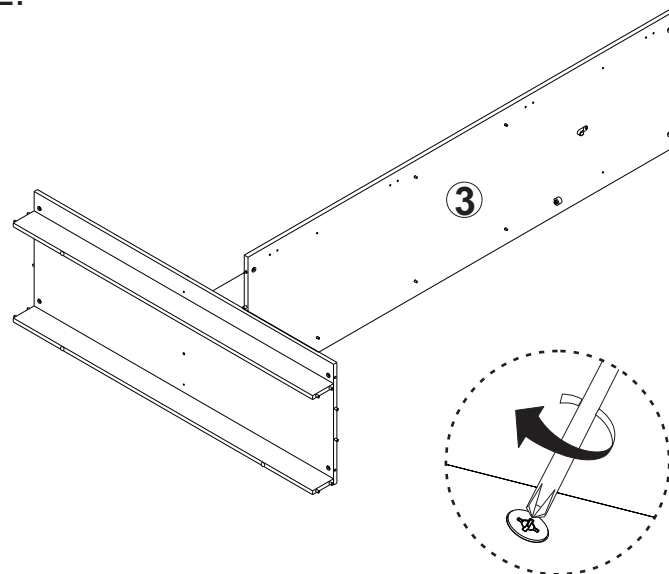


SKLAPANJE PROIZVODA :

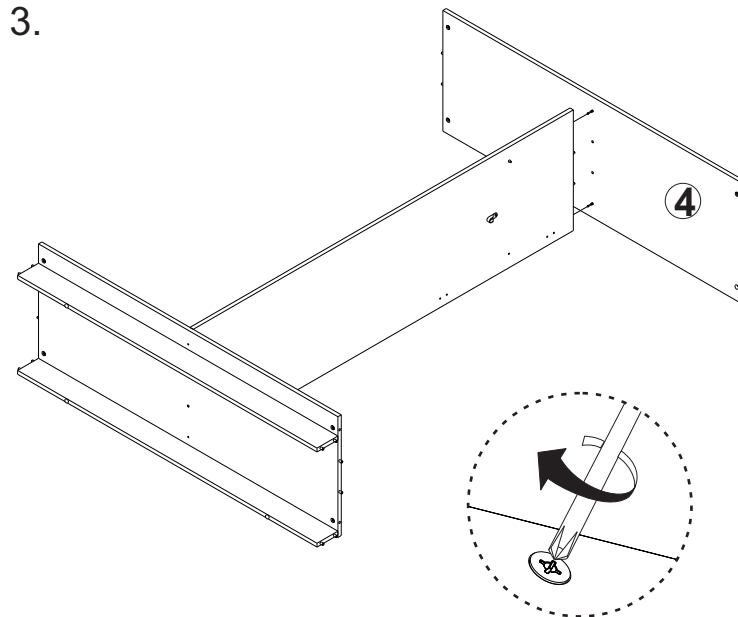
1.



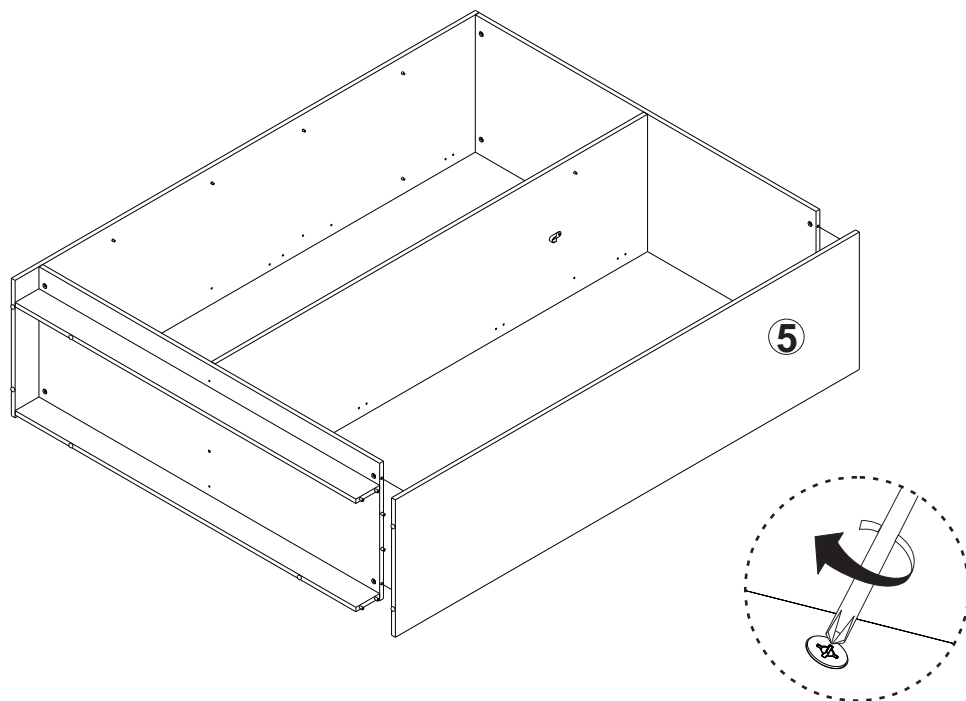
2.



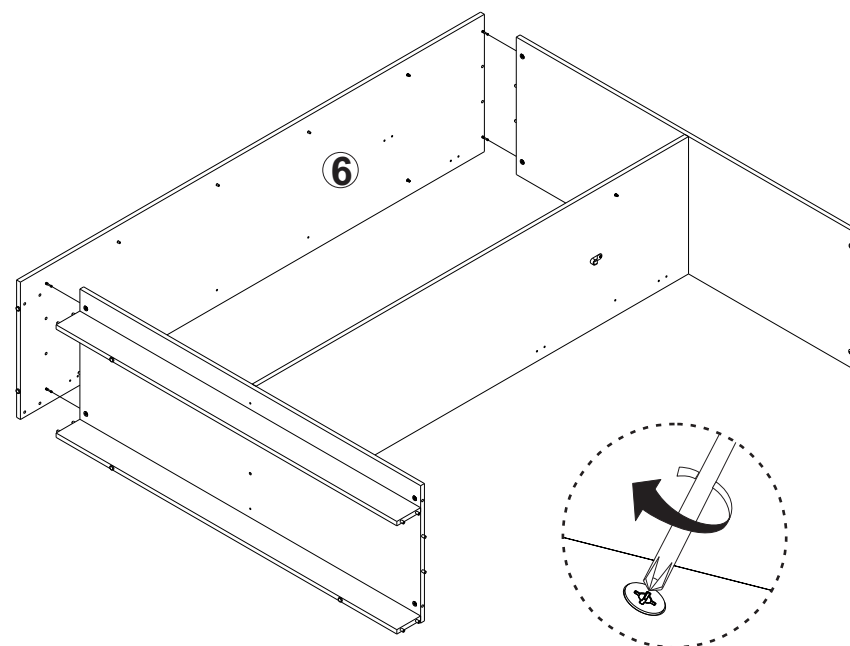
3.

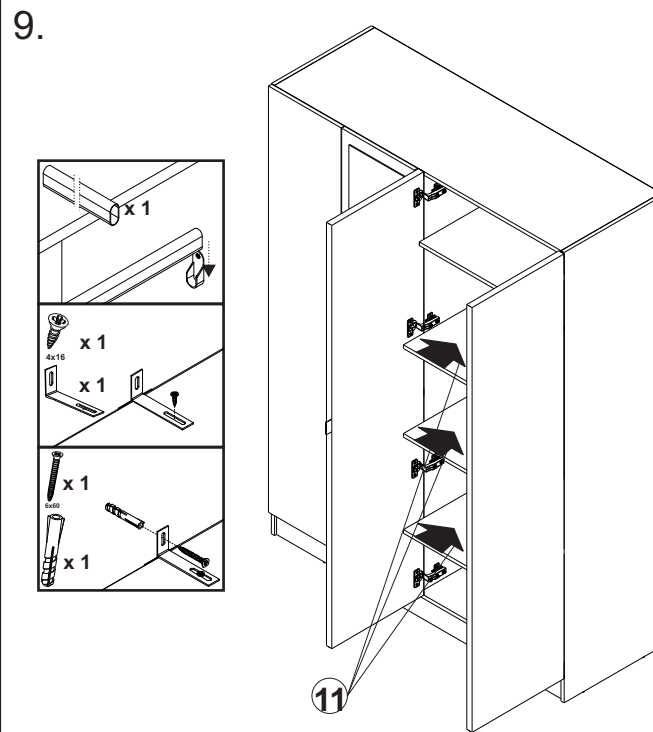
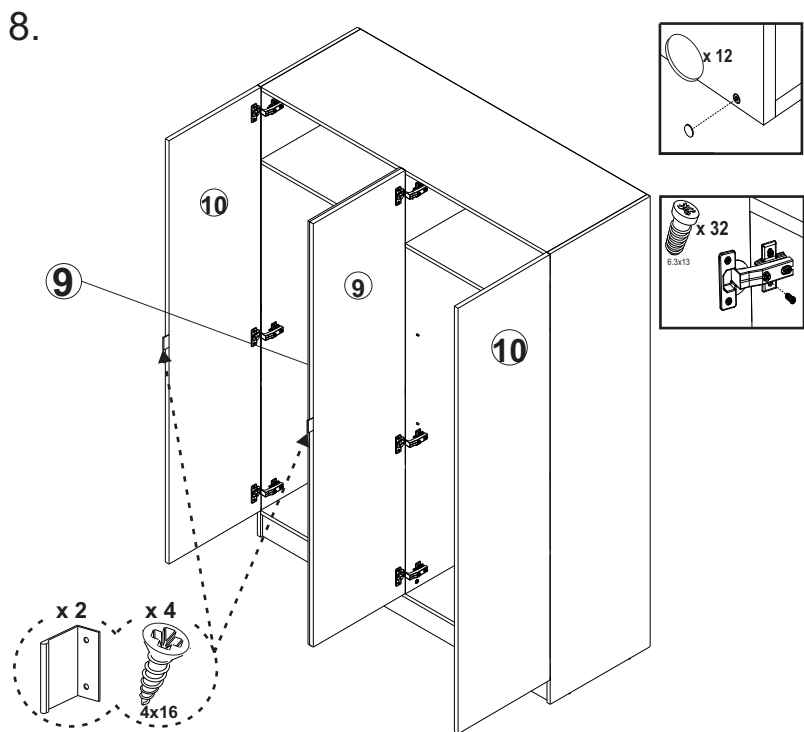
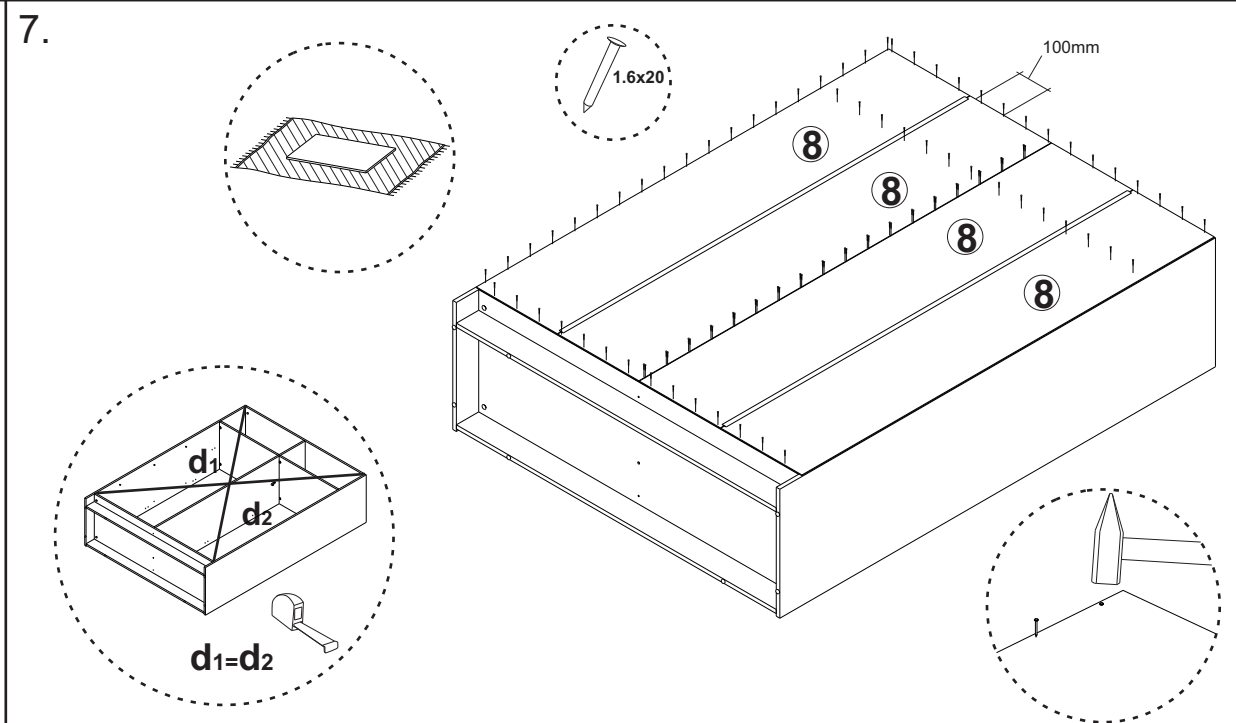
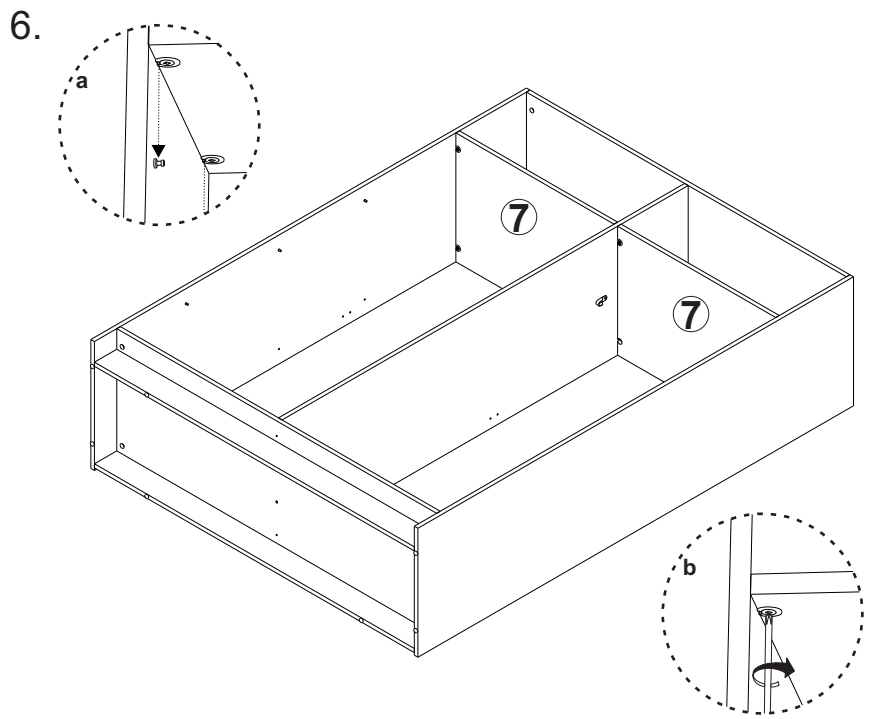


4.



5.





PODEŠAVANJE POLOŽAJA VRATA :

