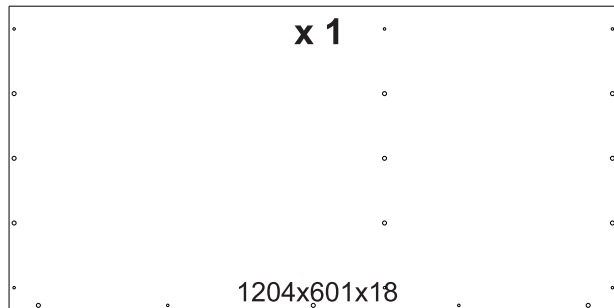
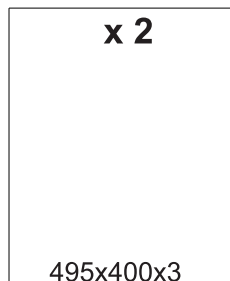


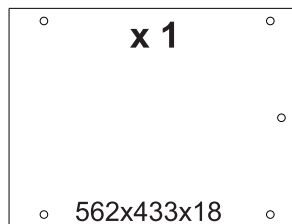
1166x322x18  
POLEDINA



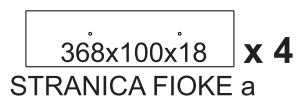
1204x601x18  
GORNJA PLOČA



495x400x3  
POD FIOKE



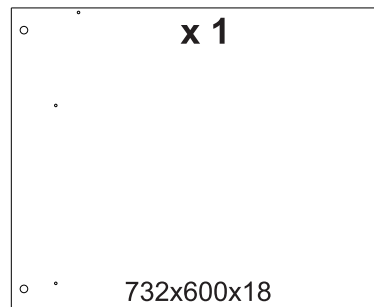
562x433x18  
HORIZONTALA



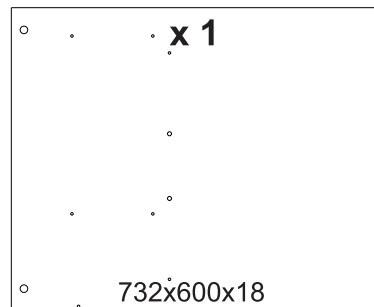
368x100x18 x 4  
STRANICA FIOKE a



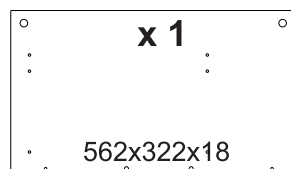
500x100x18 x 4  
STRANICA FIOKE b



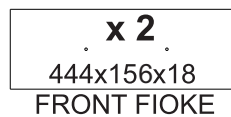
732x600x18  
STRANICA L



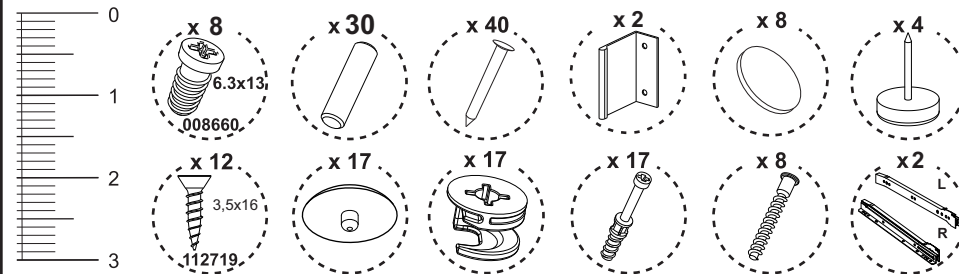
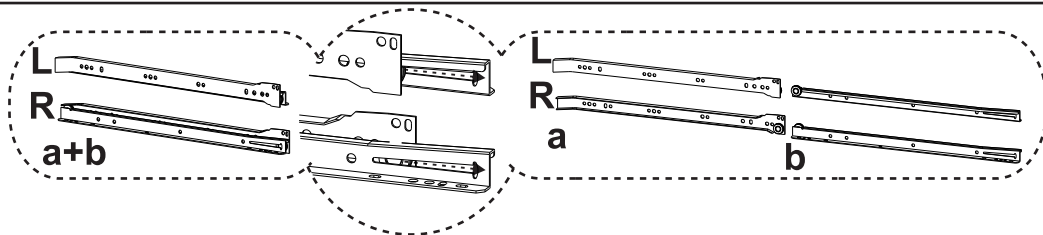
732x600x18  
STRANICA R



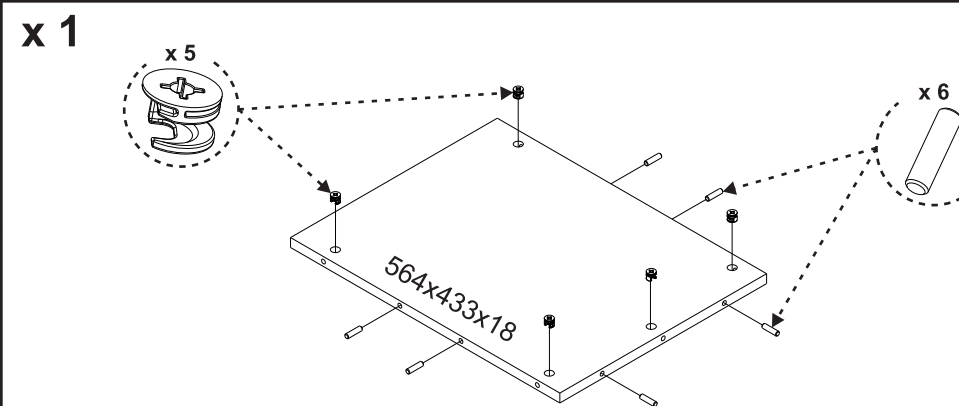
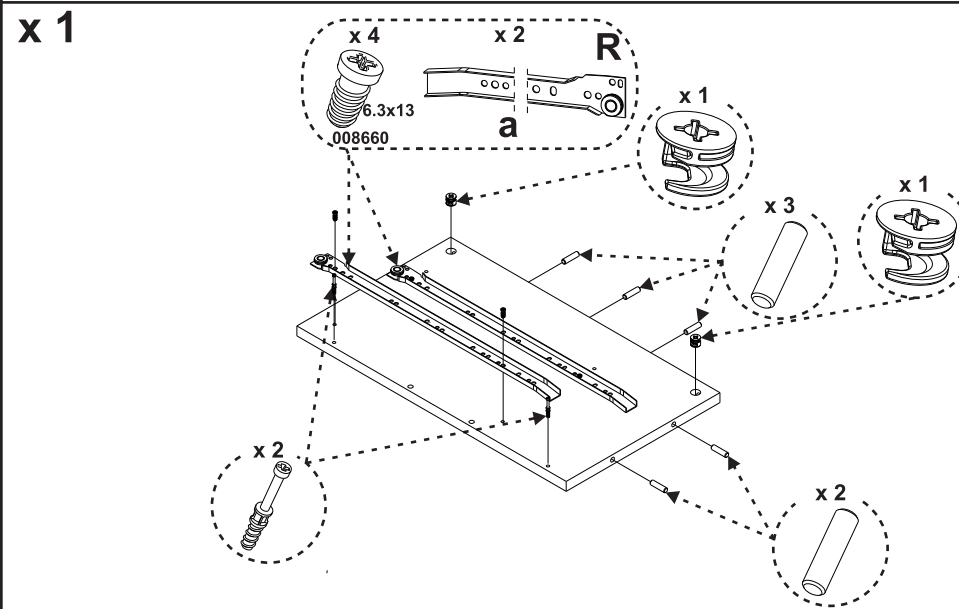
562x322x18  
VERTIKALA



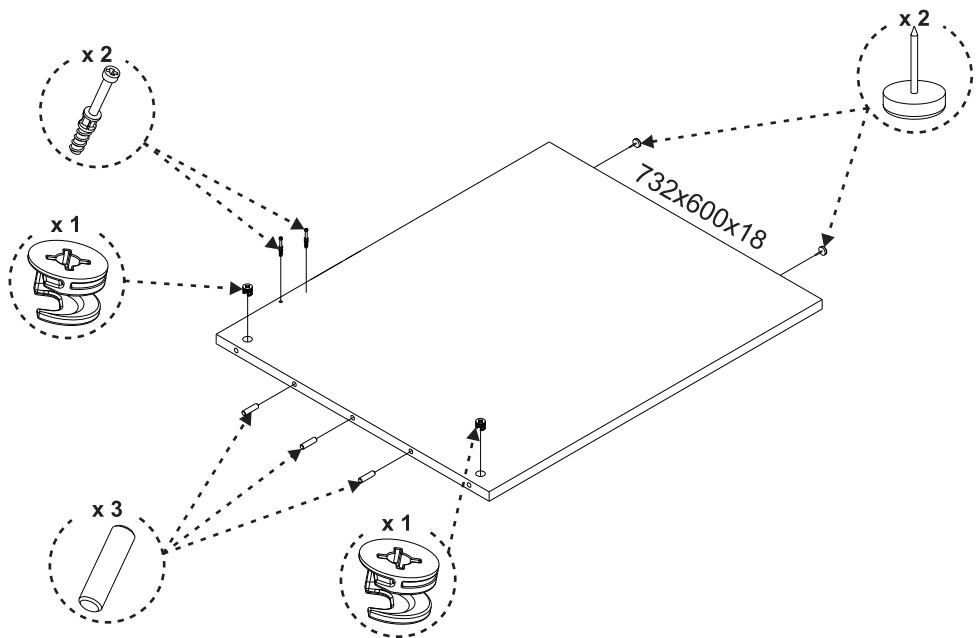
444x156x18  
FRONT FIOKE



šematski prikaz

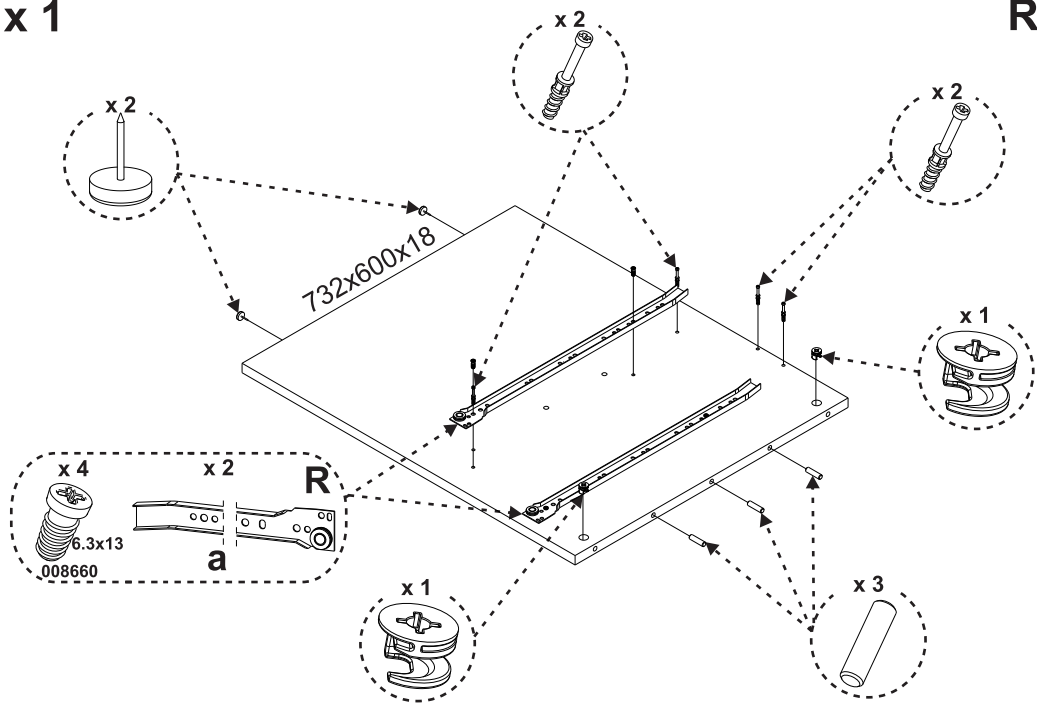


x 1



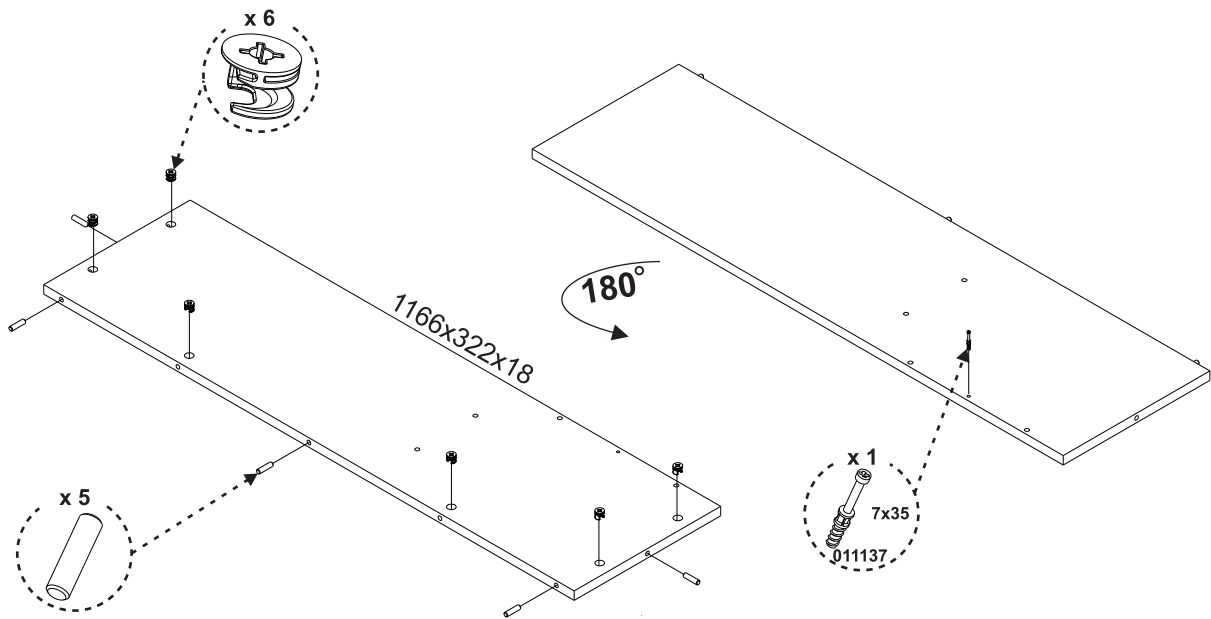
L

x 1

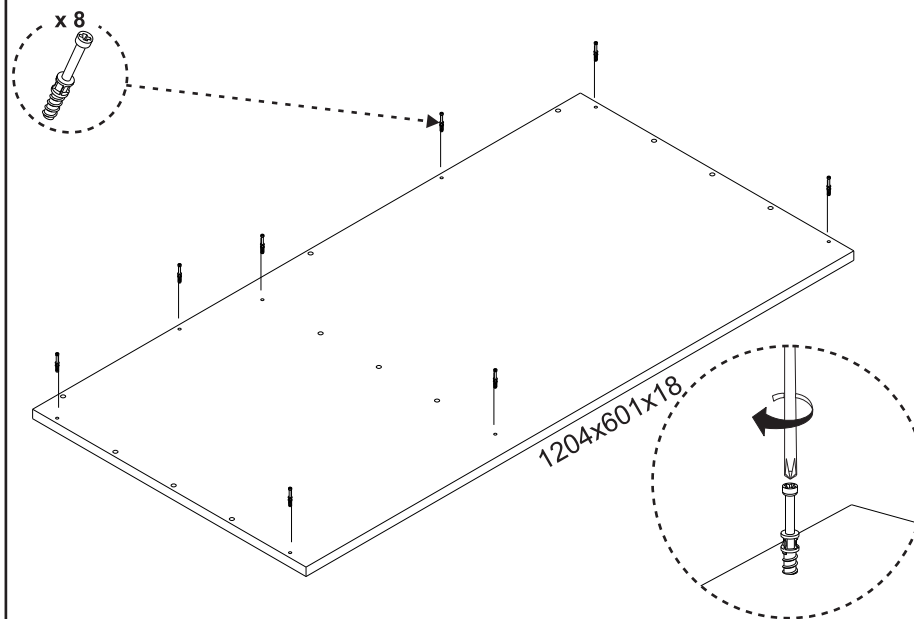


R

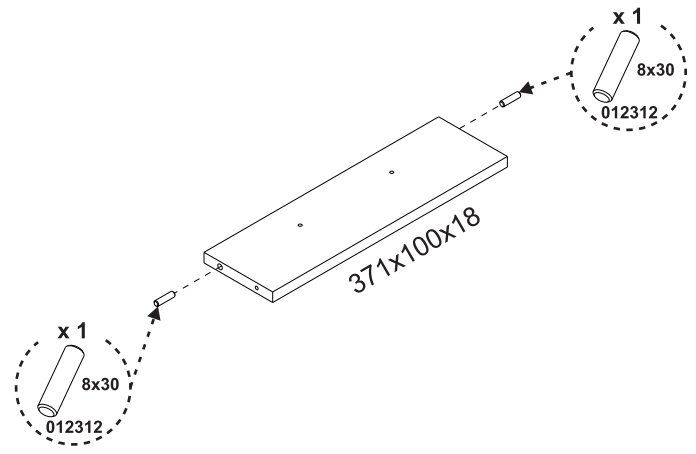
x 1



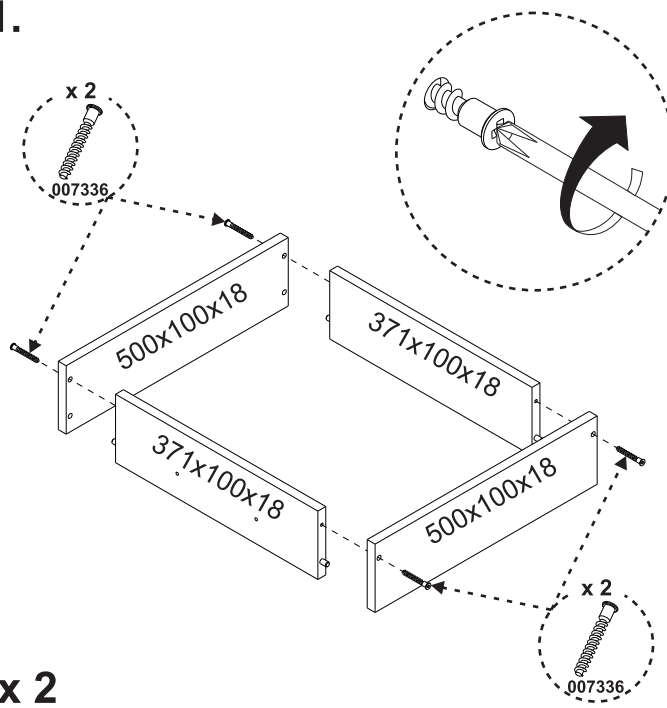
x 1



x 4

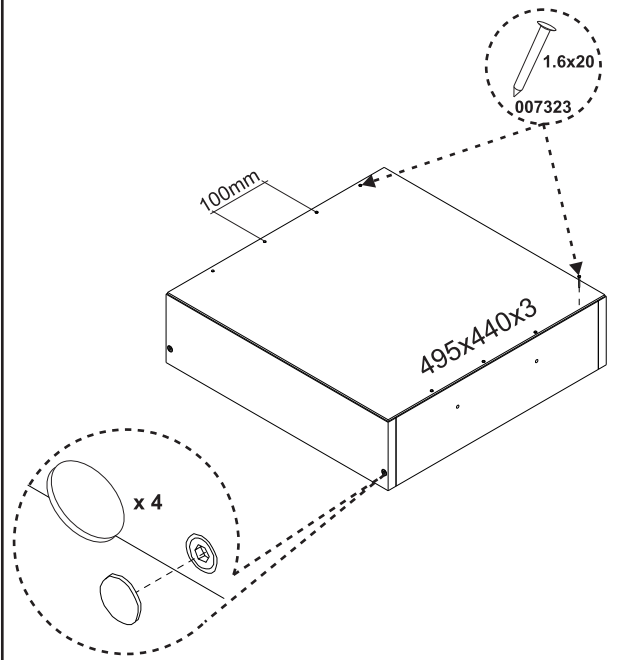


1.

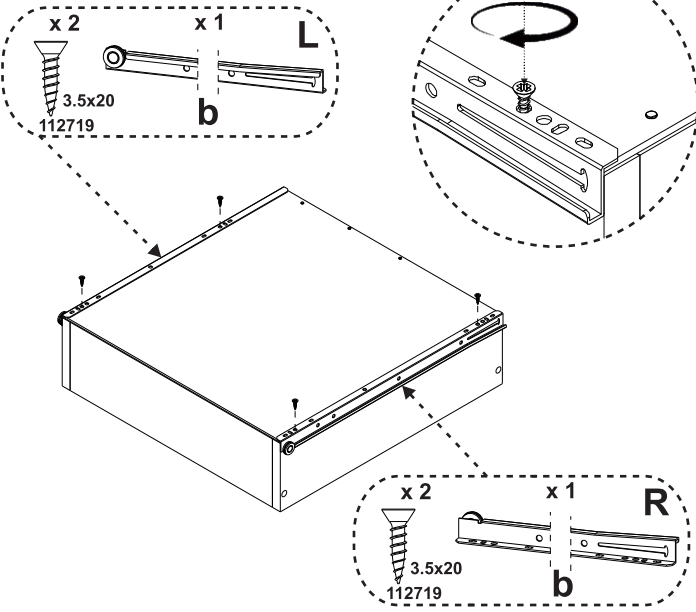


2.

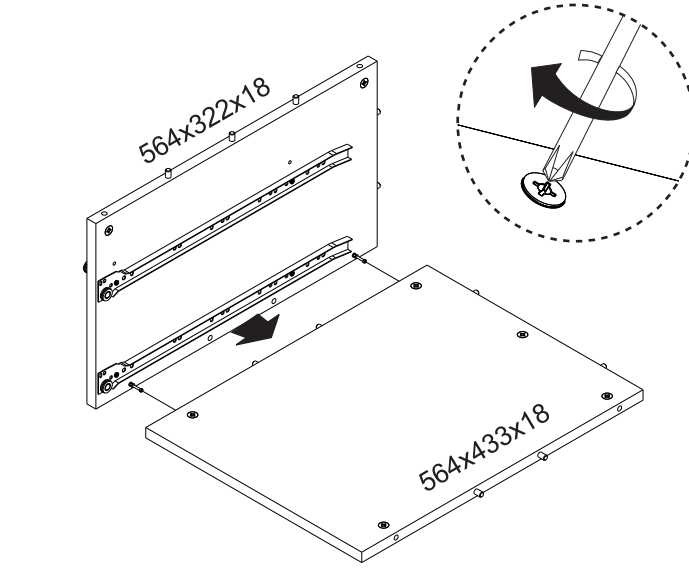
x 2



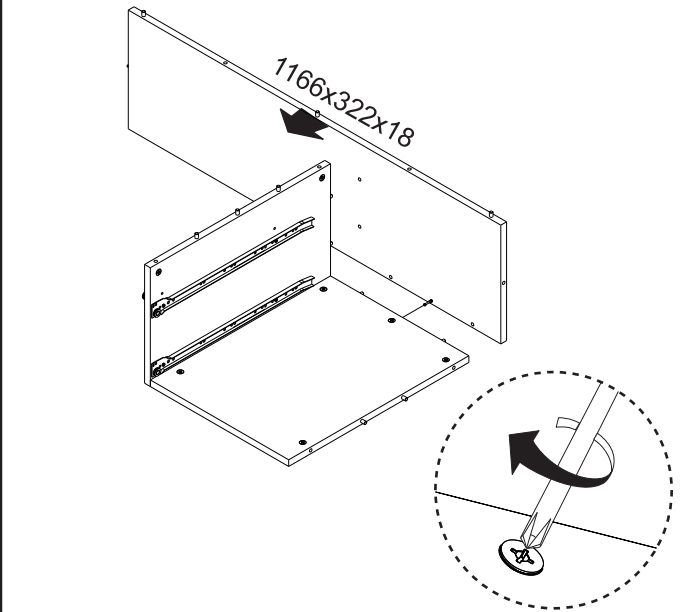
3.



4.



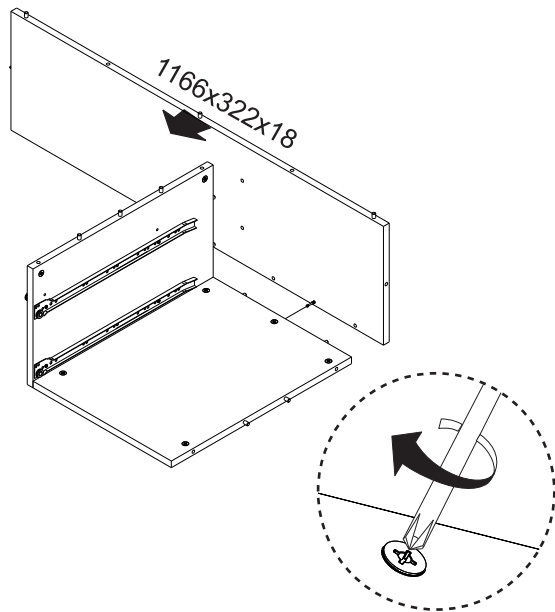
5.



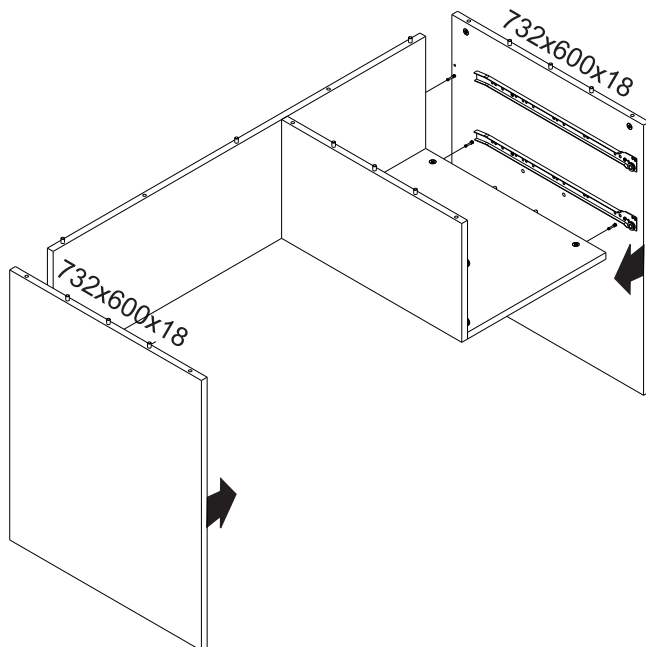
x 2

4/5

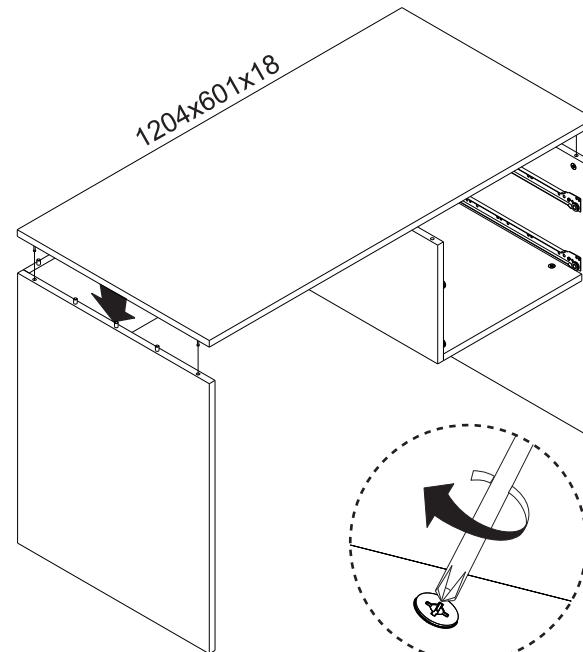
5.



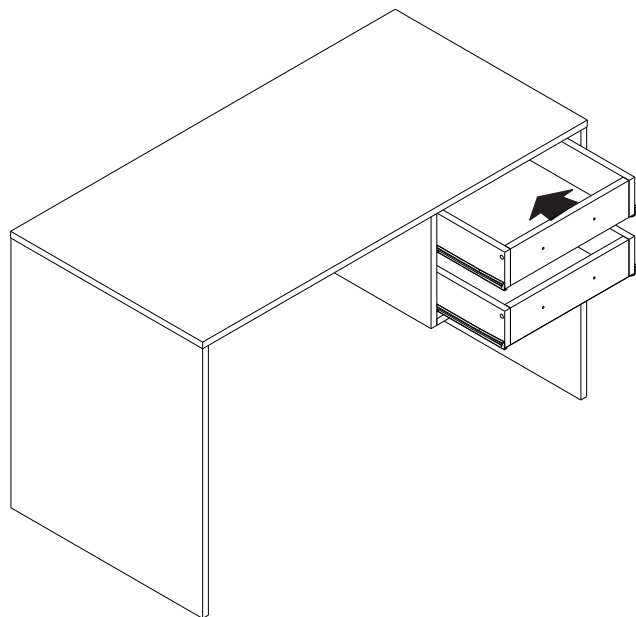
6.



7.



8.



9.

